

ELIMINATE

URINAL ODOUR

SAVE ENERGY

AND WATER

The most effective urinal  
odour extraction system.

Conventional



hygizone



Urinals - HZ501  
HZ502

hygizone™  
Superior Odour Extraction

# Transform your bathroom into a **Hygizone**.

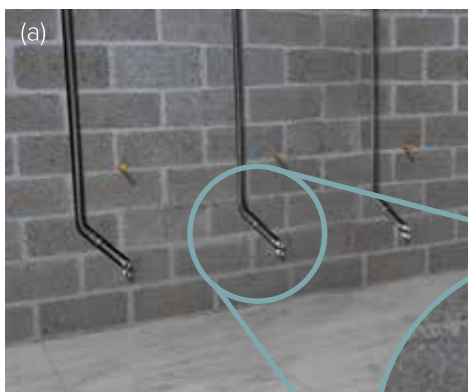
The smart thinking **source-based** toilet odour extraction system.

## Waterless and Water Urinals



**Water Saving**

### How to install

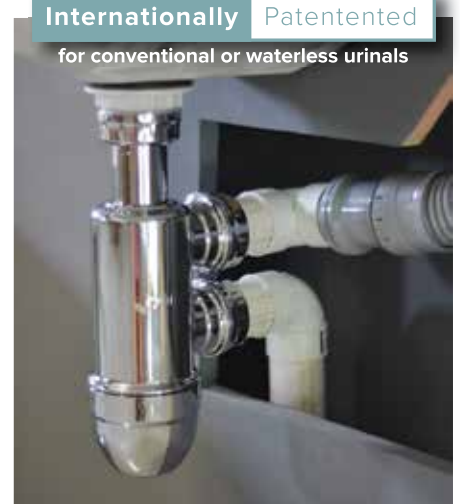


air extraction  
urinal waste pipe

- Install 2 x 40mm pipes as indicated to accommodate the Hygizone Bottle-trap.
- The lower pipe acting as the traditional waste pipe and the upper pipe acting as the air extraction (a, b)

Clip the Hygihose onto the 40mm air extraction line and route the Hygihose to the extraction duct, ensure the hose runs uphill to avoid forming a water trap in the hose (c)

**Internationally Patented**  
for conventional or waterless urinals





### It's More Hygienic

The Hygizone system has proven to be the most effective extraction solution in preventing harmful germs and bacteria from contaminating the air you breathe.



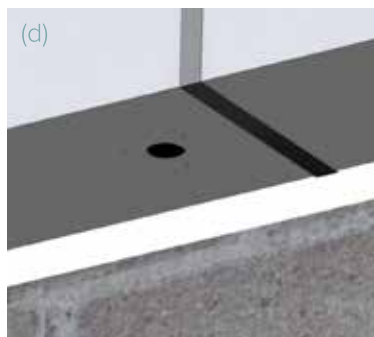
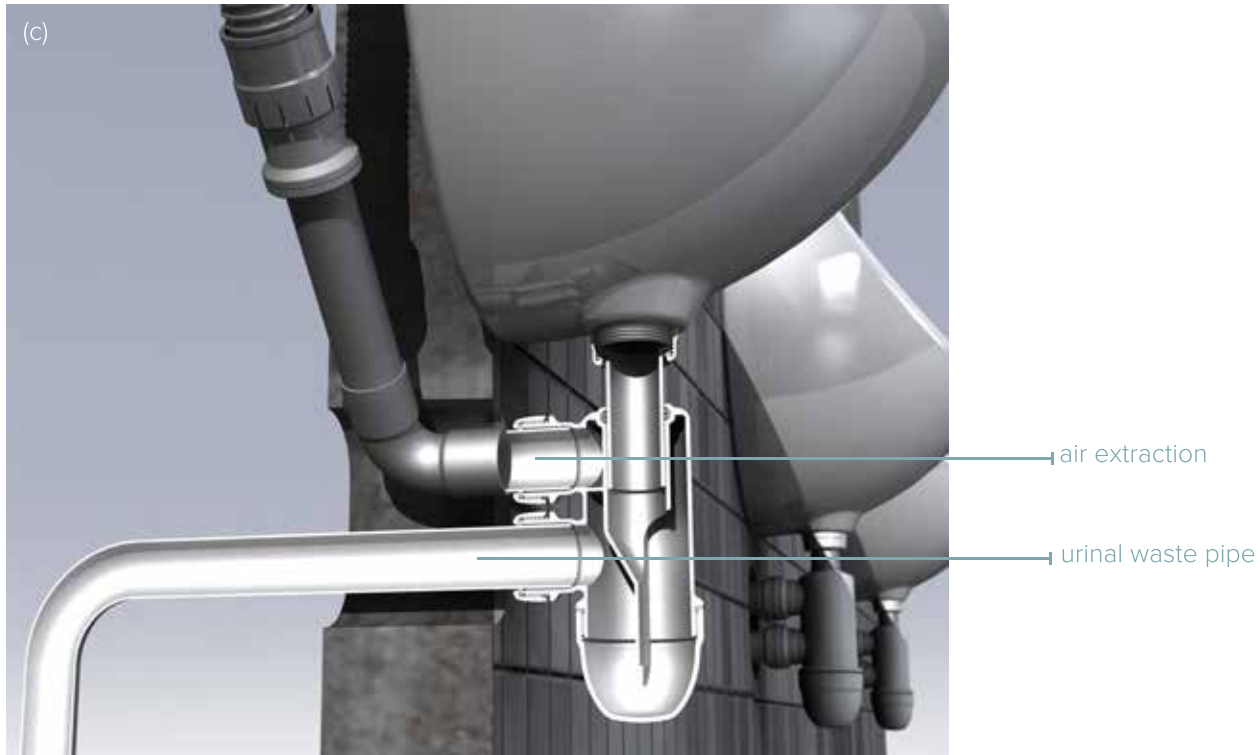
### It's Fresher

The Hygizone eliminates the need for costly air fresheners that are often overpowering and only serve to mask odour problems, instead of eliminating them at the source.



### 100% User-Satisfaction

Toilets fitted with the the Hygizone keep tenants and customers happy.



- (a) Route the Hygihose to the specified extraction duct. Drill appropriate size hole in the extraction duct. Install the Hygizone Duct-Spigot.
- (b) Cut the Hygihose to the required length.
- (c) Fit the Hygizone Duct-Connector to the Hygihose.



# Hygizone for Urinals

HZ501 - Urinal White Trap

HZ502 - Urinal Chrome Trap

Fits Urinal



## Items included in the system



**Hello!**

We're here to help! Contact us to find out more about the Hygizone system

Guaranteed Performance,  
**Proven Results.**

**hygizone**<sup>™</sup>  
Superior Odour Extraction

[hygizone.com](http://hygizone.com) • [info@hygizone.com](mailto:info@hygizone.com)