

ELIMINATE

TOILET ODOUR.

SAVE ENERGY

AND OP COSTS

The most effective toilet
odour extraction system.

Conventional



hygizone



Flush Valves - HZ301
HZ321

hygizone™
Superior Odour Extraction

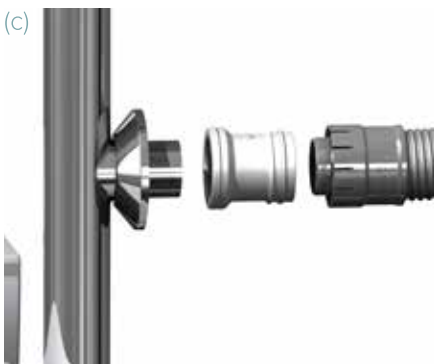
Transform your bathroom into a **Hygizone**.

The smart thinking **source-based** toilet odour extraction system.

For Flush Valves



How to install



- Replace traditional straight Flush-pipe with the Hygizone Chrome Flush-Tee pipe, and ensure an adequate cavity through the wall is provided (a, b)
- Secure the Hygihose to the Chrome Flush-Tee pipe using the Hygizone Push-fit adaptor (c, d, e, f)



It's More Hygienic

The Hygizone system has proven to be the most effective extraction solution in preventing harmful germs and bacteria from contaminating the air you breathe.



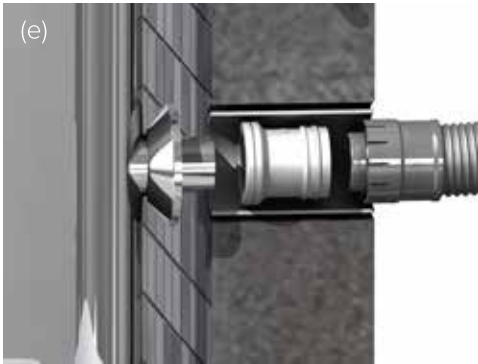
It's Fresher

The Hygizone eliminates the need for costly air fresheners that are often overpowering and only serve to mask odour problems, instead of eliminating them at the source.

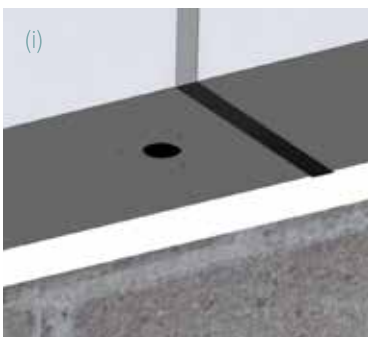


100% User-Satisfaction

Toilets fitted with the the Hygizone keep tenants and customers happy.



- Route the Hygihose to the extraction duct and ensure the hose runs uphill to avoid forming a water trap in the hose (h)



- Drill a hole in the extraction duct (i)
- Fit the Hygizone Duct-Spigot (j)
- Connect the Hygihose (k, l)



Hygizone for Flush Valves

HZ301 - Standard Flush Valves

HZ321 - Junior Flush Valves

Fits Flush Valve



Items included in the system



Std or Junior Chrome Flush-Tee Pipe



Push Fit-Adaptor



Duct-Spigot



4m Hygihose & Flush-Connector & Duct-Connector



All Fasteners & Connectors Needed



Detailed Installation Leaflet

Hello!

We're here to help! Contact us to find out more about the Hygizone system

hygizone[™]
Superior Odour Extraction

hygizone.com • info@hygizone.com

Guaranteed Performance,
Proven Results.